



Art no.: CQ4060S

Cat. 7 S/FTP Mobile Cable Reel TPE, 60 m

Technical Features

Mobile drum for easy installation & transportation

Cat.7 S/FTP 26 AWG bare copper cable

Flexible TPE jacket for outdoor use

60 m cable with Cat. 6A keystone jack

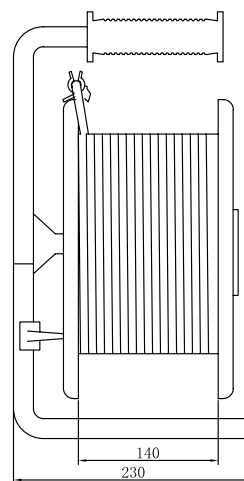
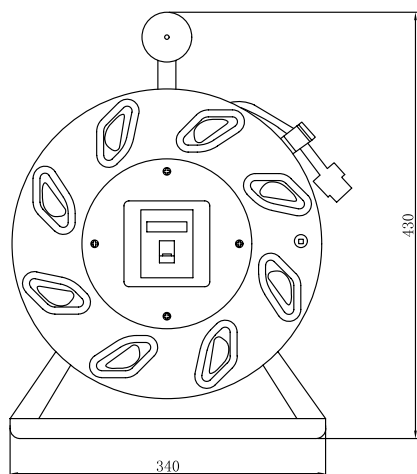
Drum with 86 x 86 mm 1 port face plate

Supports PoE per IEEE 802.3af, PoE+ per IEEE 802.3at

Operating temperature: -20–75°C

Cable color: Black

Technical Drawings



CQ4060S



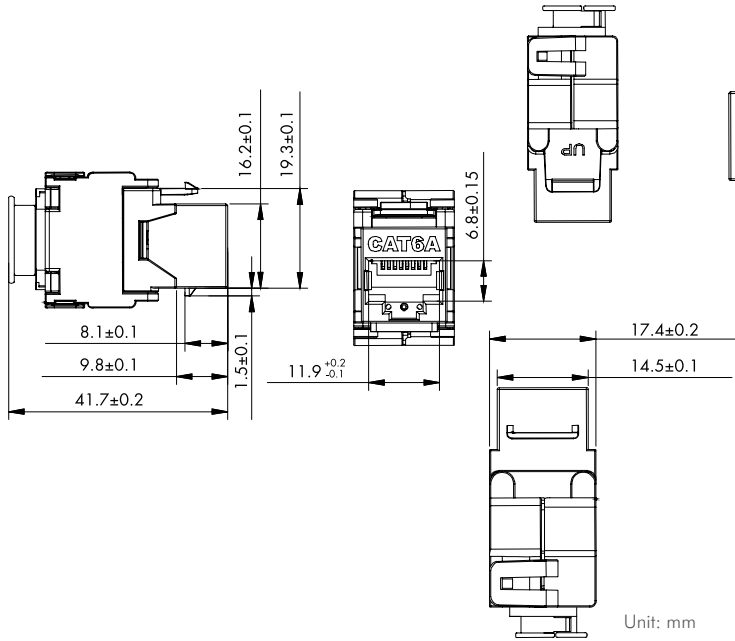
4 052792 070323

Made in China

www.2direct.de



*The specifications and pictures are subject to change without prior notice.
*All trade names referenced are the registered trademarks of their respective owners.



Notes:

1. Contact Resistance: 20M Ohms max.
2. Insulation Resistance: 500M Ohms min. @500 V DC
3. Withstand Voltage: DC 1000 V AC 700 V RMS 60 Hz, 1 min.

Environmental:

1. Storage: -40~70°C
2. Operation: -10~60°C

Mechanical:

1. Shield Material: Zinc alloy
2. IDC Material: PC UL94V0 Terminal: Phosphor Bronze, Tin Plating
3. RJ45 Contact Life: 750 times min.
4. IDN Life: 250 times min.
5. RJ45 Dimension: 11.9 x 9.8 mm
6. Weight: 34.7 g

Package Content

1x Cat. 7 S/FTP Mobile Cable Reel, TPE, 60 m

Packaging Information

| | |
|-------------------|-----|
| Packing Dimension | mm |
| Packing Weight | kg |
| Carton Dimension | mm |
| Carton Q'ty | pcs |
| Carton Weight | kg |



CQ4060S



4 052792 070323

Made in China

www.2direct.de



*The specifications and pictures are subject to change without prior notice.
*All trade names referenced are the registered trademarks of their respective owners.